

ALL PRODUCT SPECIFICATIONS ARE APPLICABLE AT STANDARD CONDITIONS:
 1013 MILLIBAR, 25° C DRY AIR, AND 600 OHM LOAD ACROSS THE SENSOR TERMINALS.

REV	DCO'S AFFECTING THIS DRAWING	DATE	APPROVED
A	INITIAL REL. # 1594		

1. Output:

17.0 ± 3.0 mV

2. Operation:

1. Temperature: 0 to 40° C
2. Ambient pressure: 600 – 1750 millibar
3. Relative Humidity: Up to 100% Rh
(Condensing atmosphere over several hours)

3. Storage Temperature Range:

-20 to 60° C
 5 to 30° C Recommended

4. Range of Measurement (Full Scale):

0 to 100% oxygen

5. Zero Offset:

Less than 0.20 mV when exposed
 to 100% nitrogen for 5 minutes.

6. 90% Response Time:

Less than or equal to 12 seconds

7. Linearity:

<3.0% of full scale

8. Stability:

Less than 1% of full scale over an 8 hour period
 between 20% and 100% Oxygen

9. Repeatability:

±1% volume O₂ at 100% O₂ applied for 5 minutes

10. Interference:

Less than 0.5% O₂ response to:
 10.0% CO₂ balance N₂
 80.0% N₂O balance N₂
 7.5% Halothane balance N₂
 7.5% Isoflurane balance N₂
 7.5% Enflurane balance N₂
 9.0% Sevoflurane balance N₂
 20.0% Desflurane balance N₂

11. Nominal Sensor Life

= or > 750,000% oxygen hours

12. Warm-up Time:

Less than 30 minutes after replacement of sensor.

13. Electrical Interface:

Printed Circuit Board
 Center contact negative
 Outer contacts independent and positive

UNLESS OTHERWISE SPECIFIED
 DIMENSIONS ARE IN INCHES
 AND PER ANSI Y14.5-1982

TOL = ±.01
 TOL = ±.005
 TOL = ±.002

ANGLE
 ±1°30'

maxtec™
 SALT LAKE CITY, UTAH 84119

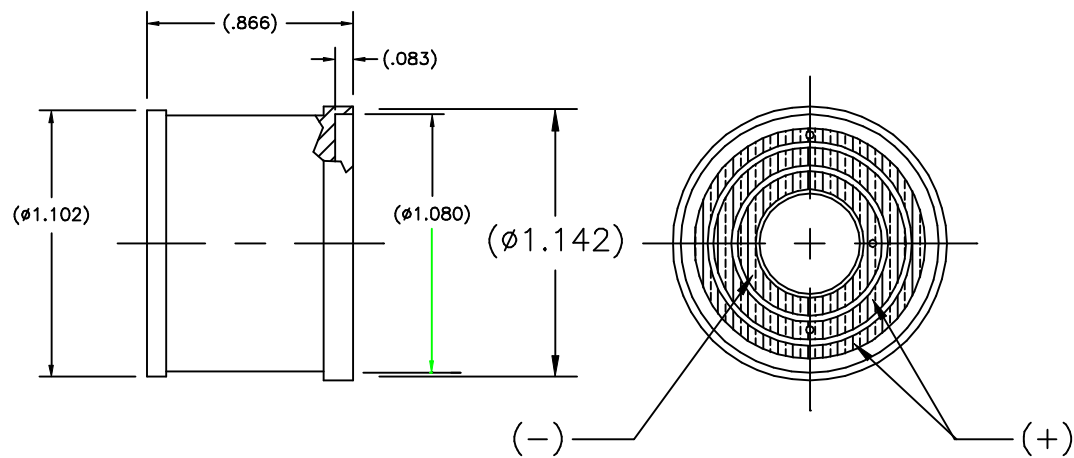
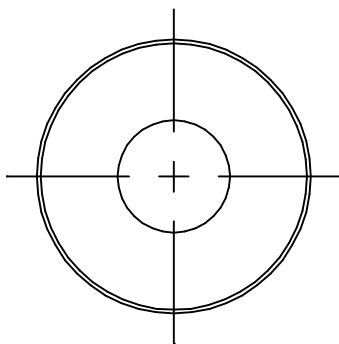
SPECIFICATION,
 MAX-11i OXYGEN SENSOR

QA	PREP D. LARSEN	6/28/00
MFG	CHKR	
	ENG	

SIZE B	FSCM NO. 1S815	NUMBER R113P07	REV A
SCALE NONE			SHEET 1 OF 2

PROPRIETARY INFORMATION
 MAXTEC INC.

A R113P07 A



NOTES UNLESS OTHERWISE SPECIFIED

1. DIMENSIONS ARE FOR AN UNLABELED SENSOR.

SIZE B	FSCM NO. 1S815	NUMBER R113P07	REV A
SCALE .50 = 1.0		SHEET 2 OF 2	

PROPRIETARY INFORMATION
MAXTEC INC.

R113P07 A