



Ceratherm 600-3

Radiant Warmers

For maintaining the body temperature of infants, children and adults

- Ceramic 600-Watt heating element with fast warm-up
- Four programmable warming settings
- Computer-controlled heat regulation and alarm monitoring
- LED lighting for dazzle-free illumination of the treatment area
- Two programmable levels of illumination intensity with soft transitional on/off



Ceratherm 600-3 radiant warmers provide the ideal solution to the requirements of daily practice, combining ease of use and safety.

Ideal for use in delivery suites, special care baby units, clinics, paediatric wards, accident & emergency and operating theatres.

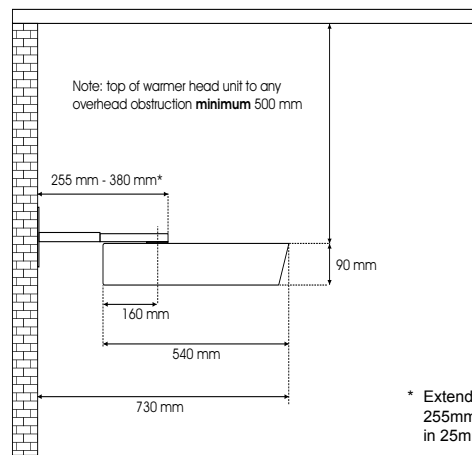
Available in several configurations including: wall mounted, ceiling mounted and mobile floor standing.



**Warmer only
no mounting bracket**

Model: 521A-60020-3-EX

0310300

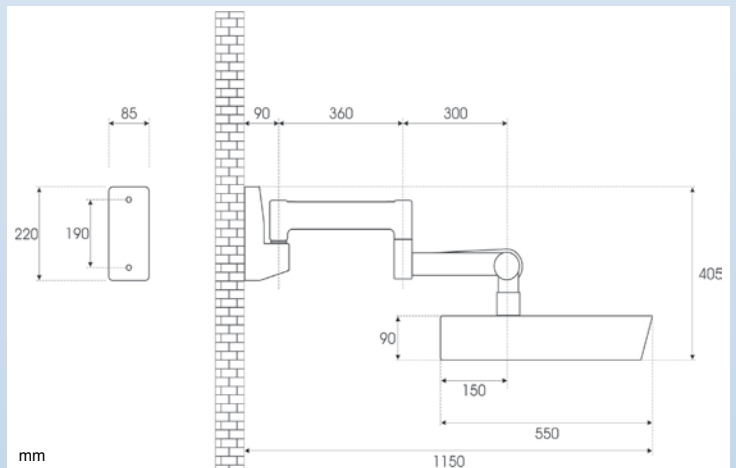


* Extendable from 255mm to 380mm in 25mm increments

**With fixed wall
mounting bracket, not pivotal**

Model: 521A-60023-3-EX

0310301



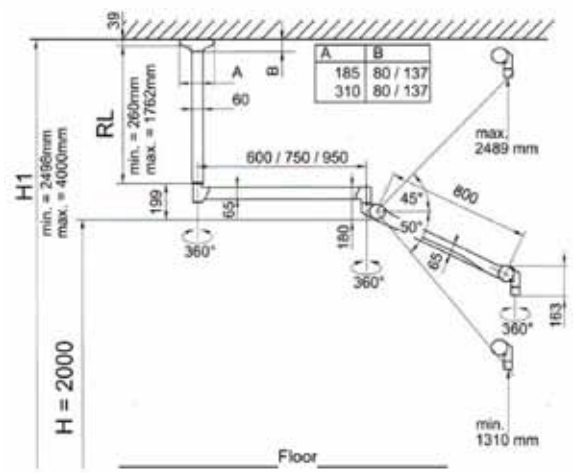
**With double hinged
arm & wall mount bracket,
with integrated electrics**

Model: 521A-60022-3-OND

0310302

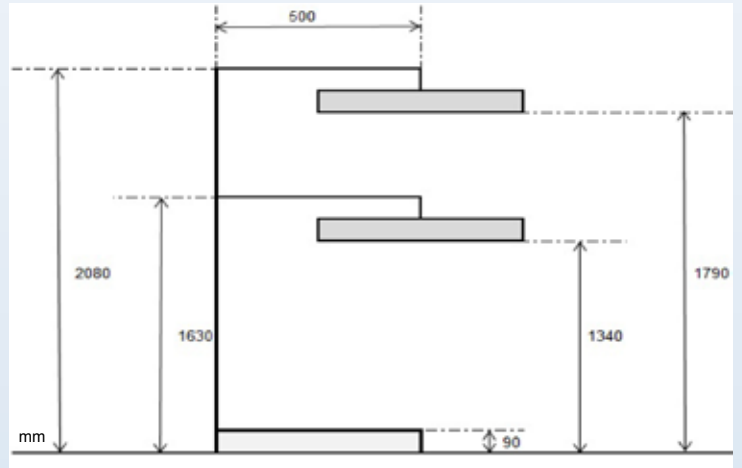
Standard Radiant Warmer used in conjunction with Viamed Infant Resuscitation Cabinets

* At time of ordering - two installation site measurements in mm are required:
 A: Floor to ceiling
 B: Floor to suspending ceiling (if applicable)



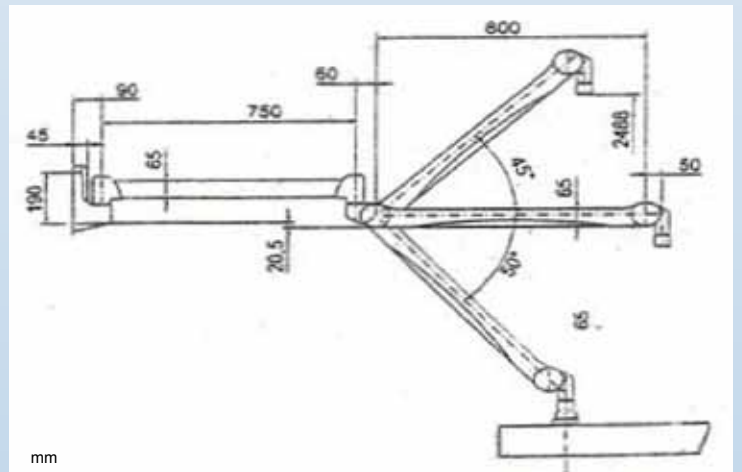
**Ceiling mounted
 and with height adjustment***
 Model: 521A-60024-3-EX

0310303



On mobile floor stand
 Model: 521A-60035-3-EX

0310304



**With double-jointed
 wall mounting & with height adjustment**
 Model: 521A-60023-3-EX

0310305

Ceratherm 600-3 Radiant Warmers

Controlled radiator performance for optimal warming and maximum patient safety.

The Ceratherm 600-3 range of radiant warmers facilitate temperature stabilization, and by assisting in maintaining a neutral thermal environment - they counter the loss of body heat to the environment by convection. The overhead radiant warmers offer unrestricted access to the patient and also allow several people to care for the patient at the same time - such as during infant resuscitation or other emergency procedures.

The operating controls are arranged in a clear format and are easily activated. There are four pre-set levels of warming and each level can be programmed separately. Dazzle-free LED lighting with soft transitional on/off provides natural colour temperature illumination of the treatment area. There are two illumination levels and each one can be programmed in 10% increments, from to 10 –100% illumination. The lighting also switches off automatically after 20 minutes in standby mode; this function can be disabled if required.

Technical Data

Mains voltage	230 V ±10%, 50-60 Hz
Heating element	Ceramic, 600 W
Lighting	LED lamp 12 V / 1 W
Radiator performance	4 steps, 0 - 99%
Colour	RAL 9010
Certified according to	IEC 601-2 TÜV/CE
Conformity	CE (Directive 93/42/EEC, Annex II)
IP Protection Class	IP20
Heating element guarantee	5 years
Contamination Level Class	2
Electrical Protection Rating	I (with protective earth connection)
Medicinal Product Class	IIb (Directive 93/42/EEC, Annex IX, Rule 9)
Applied Standards	EN 60601-1:2007, EN 60601-2-21:2010 EN 60601-1-2:2006

Alarms	<ul style="list-style-type: none"> Acoustic and visual 15-minute reminder alarm. As a safety feature - if it is not acknowledged, then the heat output is automatically switched to 20% of the maximum output Mains Failure Technical malfunction (with error code)
--------	--

Warmer Dimensions	55 cm (L) x 21 cm (W) x 9 cm (H)
Weight	4.3 kg (without accessories)

Part Numbers

Ceratherm 600-3	<i>warmer only - no mounting bracket</i>	0310300
Ceratherm 600-3	<i>with fixed wall mounting bracket, not pivotal</i>	0310301
Ceratherm 600-3	<i>with double hinged arm & wall mounting bracket, with integrated electrics</i>	0310302
Ceratherm 600-3	<i>ceiling mounted and with height adjustment</i>	0310303
Ceratherm 600-3	<i>on mobile floor stand</i>	0310304
Ceratherm 600-3	<i>with double-jointed wall mounting & with height adjustment</i>	0310305



Front panel controls and indicators:

Heat setting 1 (illuminated button).
Output setting programmable - default 20%

Heat setting 2 (illuminated button).
Output setting programmable - default 50%

Heat setting 3 (illuminated button).
Output setting programmable - default 75%

Heat setting 4 (illuminated button).
Output setting programmable - default 98%

Heat output LED indicator

Alarm reset (illuminated button)

Lamp (low setting). Illumination level programmable – default 20%

Lamp (high setting). Illumination level programmable – default 100%

ON/Standby (illuminated button)

CE0123

Specifications Subject to Change
All drawings are not to scale

Distributed by:



Viamed Limited · 15 Station Road · Cross Hills
Keighley · West Yorkshire · BD20 7DT · United Kingdom
Tel: +44 (0)1535 634 542 Fax: +44 (0)1535 635 582
Email: info@viamed.co.uk Website: www.viamed.co.uk



Part Number: 0390102
Date: 10/13



BS EN ISO 9001:2008
ISO 13485:2003

FS 28344 MD 78787