

**Product Specification****Oxygen Sensor****OOA101-1V****Confidential - For Viamed only!****ENVITEC**

by Honeywell

<b>Measurement Range:</b>	0 % ... 100 % oxygen (at atmospheric pressure)
<b>Output in Ambient Air:</b>	9 to 13 mV
<b>Electrical Interface:</b>	3.5 mm mono phone Jack
<b>Repeatability:</b>	< 1% vol. O <sub>2</sub> @ constant temperature and pressure
<b>Linearity error:</b>	< 3% relative
<b>Accuracy:</b>	0 % ... 3.3 % oxygen: ± 0.1 % absolute 3.4 % ... 100 % oxygen: ± 3 % relative
<b>Response time:</b>	< 5 s to 90 % of final value; < 40 s fall time from 20.95 % to 0.1 % oxygen (when 100 % nitrogen applied)
<b>Zero Offset Voltage:</b>	< 40 µV in 100 % nitrogen
<b>Cross Interference:</b>	< 0.1 % oxygen response to: 15 % CO <sub>2</sub> balance N <sub>2</sub> ; 10 % CO balance N <sub>2</sub> ; 3000 ppm NO balance N <sub>2</sub> ; 3000 ppm C <sub>3</sub> H <sub>8</sub> balance N <sub>2</sub> ; 500 ppm H <sub>2</sub> S balance N <sub>2</sub> ; 500 ppm SO <sub>2</sub> balance N <sub>2</sub> ; 1000 ppm benzene balance N <sub>2</sub>
<b>Influence of Humidity:</b>	- 0.03% rel. per % RH at 25 °C
<b>Pressure Range:</b>	0.6 bar ... 2 bar (ppO <sub>2</sub> 0 ... 1250 mbar O <sub>2</sub> )
<b>Influence of Mechanical Shock:</b>	< 1% relative after a fall from 1m
<b>Operating Temperature:</b>	0 °C to 50 °C
<b>Temperature Compensation:</b>	Built-in NTC compensation
<b>Effect of Temperature Compensation (steady state):</b>	between +25 °C and +40 °C: 3 % relative error between 0 °C and +50 °C: 8 % relative error
<b>Operating Humidity:</b>	0 - 99% RH non-condensing
<b>Long Term Output Drift:</b>	< 1% vol. oxygen per month Typically < -15% relative over lifetime
<b>Storage Temperature:</b>	-20 °C to +50 °C
<b>Recommended Storage:</b>	+5 °C to +15 °C
<b>Recommended Load:</b>	≥10 kOhms
<b>Warm-Up Time:</b>	< 30 minutes, after replacement of sensor
<b>Nominal Sensor Lifetime:</b>	≥500,000% vol oxygen hours
<b>Weight:</b>	Approximately 28 grams
<b>Warranty Period:</b>	15 months (including 3-month shelf life)
<b>Confirmations:</b>	PTB-A 18.10 approved Meet BAR 97 requirements
<b>Part No.:</b>	OOA101-1V: 1002499 (REF 0110177 / R-17AVG)

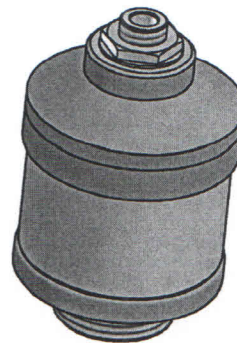
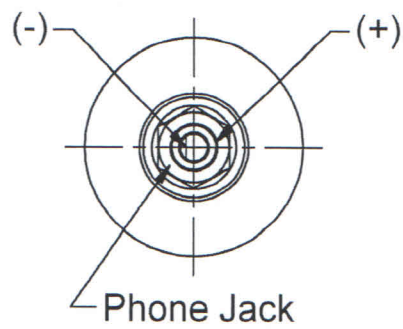
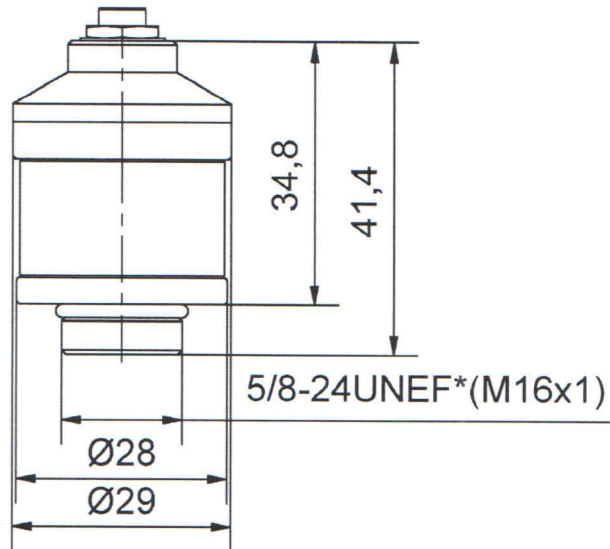
All specifications are applicable at standard conditions: 1013 mbar, 25 °C dry ambient air.

Product Specification  
Oxygen Sensor  
OOA101-1V

ENVITEC  
by Honeywell

Confidential - For Viamed only!

Mechanical draft:



General tolerances ISO 2768-c  
Color of housing parts: RAL 7040

**Product Specification**

**Oxygen Sensor**

**OOA101-1V**

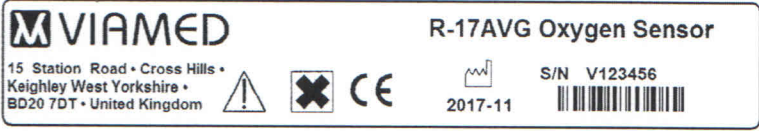
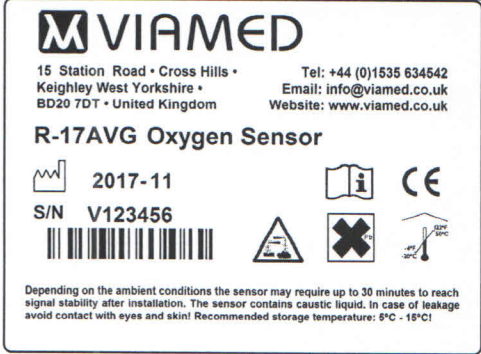
**Confidential - For Viamed only!**

**ENVITEC**

by Honeywell

Customized Design Specification:

Product Labeling

OOA101-1V: 1002499 (REF 0110177 / R-17AVG)	
Label on Sensor (90x15)	Label on Blister- Card (63,5x46,6)
	

Customer Approval

Date: 23rd November 2017

Signature:

