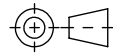


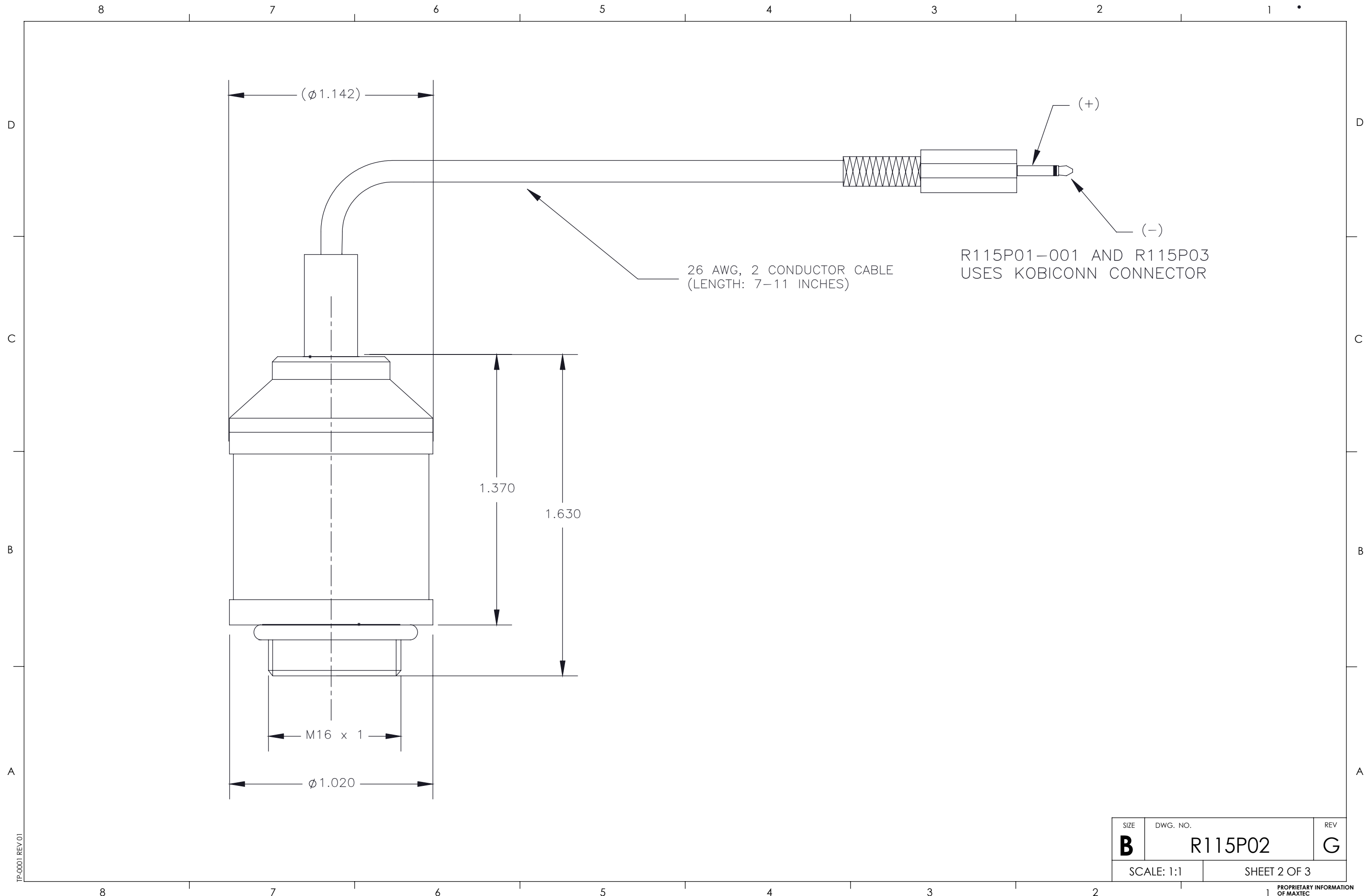
UNLESS SPECIFIED OTHERWISE, ALL PRODUCT SPECIFICATIONS ARE APPLICABLE AT STANDARD CONDITIONS: 1013 MILLIBAR, 25° C, AND 50% RH

1. OUTPUT:
8.0 TO 12.0 mV @ DRY AIR
2. OPERATION:
Temperature: 10° – 40° C
Pressure: 700 – 1250 MBar
Relative Humidity: up to 100% RH non-condensing
– Influence of Humidity: –0.03% rel. O2 reading per % RH
3. STORAGE CONDITIONS:
Recommended Temperature Range: 5 to 30°C
Maximum Temperature Range: –20°C to 50°C (≤10h)
Humidity: up to 100% RH non-condensing
4. RANGE OF MEASUREMENT (FULL SCALE):
0 to 100% Vol.%O2
5. ZERO OFFSET:
LESS THAN OR EQUAL TO 0.30 mV WHEN EXPOSED TO 100% NITROGEN FOR 5 MINUTES
6. 90% RESPONSE TIME:
LESS THAN OR EQUAL TO 17 SECONDS
7. Linearity:
<3% @ 100% O2, APPLIED FOR 5 MIN
8. Repeatability:
±1% VOL. O2 @ 100% OW, APPLIED FOR 5 MIN

9. DRIFT:
LESS THAN 1 VOL.%O2/MONTH @ AIR/ AVERAGED ACROSS 12 MONTHS
10. INTERFERENCE:
ACCORDING TO DIN EN ISO 80601–2–55
11. NOMINAL LIFE:
> 500,000% VOL.% H
12. WARM–UP TIME:
LESS THAN 30 MINUTES AFTER REPLACEMENT OF SENSOR
13. ELECTRICAL INTERFACE:
R115P01–001 AND R115P03 KOBICONN CONNECTOR P/N 171–PA2281–2–E 2.5 mm MALE PHONE PLUG (TIP = NEGATIVE)
R115P03–002 USE SWITCHCRAFT P/N TR2A 2.5 mm FEMALE PHONE RECEPTACLE (TIP = NEGATIVE)

TP-0001 REV 01

REVISION DETAIL Corrected errors in listed product specifications.	mextec [®] SALT LAKE CITY, UTAH		SPECIFICATIONS, MAX-13C OXYGEN SENSOR	
	UNLESS OTHERWISE SPECIFIED DIMENSIONS ARE IN INCHES AND PER ASME Y14.5-2009 .XX = ± .01 ANGLES  .XXX = ± .005 ±0° 30' .XXXX = ± .002		SIZE B	DWG. NO. R115P02
DRAWN BY: A. Devlin	DATE: 1/5/2024	SCALE: 1:1		SHEET 1 OF 3



$(\phi 1.142)$

(+)

(-)

26 AWG, 2 CONDUCTOR CABLE
(LENGTH: 7-11 INCHES)

R115P01-001 AND R115P03
USES KOBICONN CONNECTOR

1.370

1.630

M16 x 1

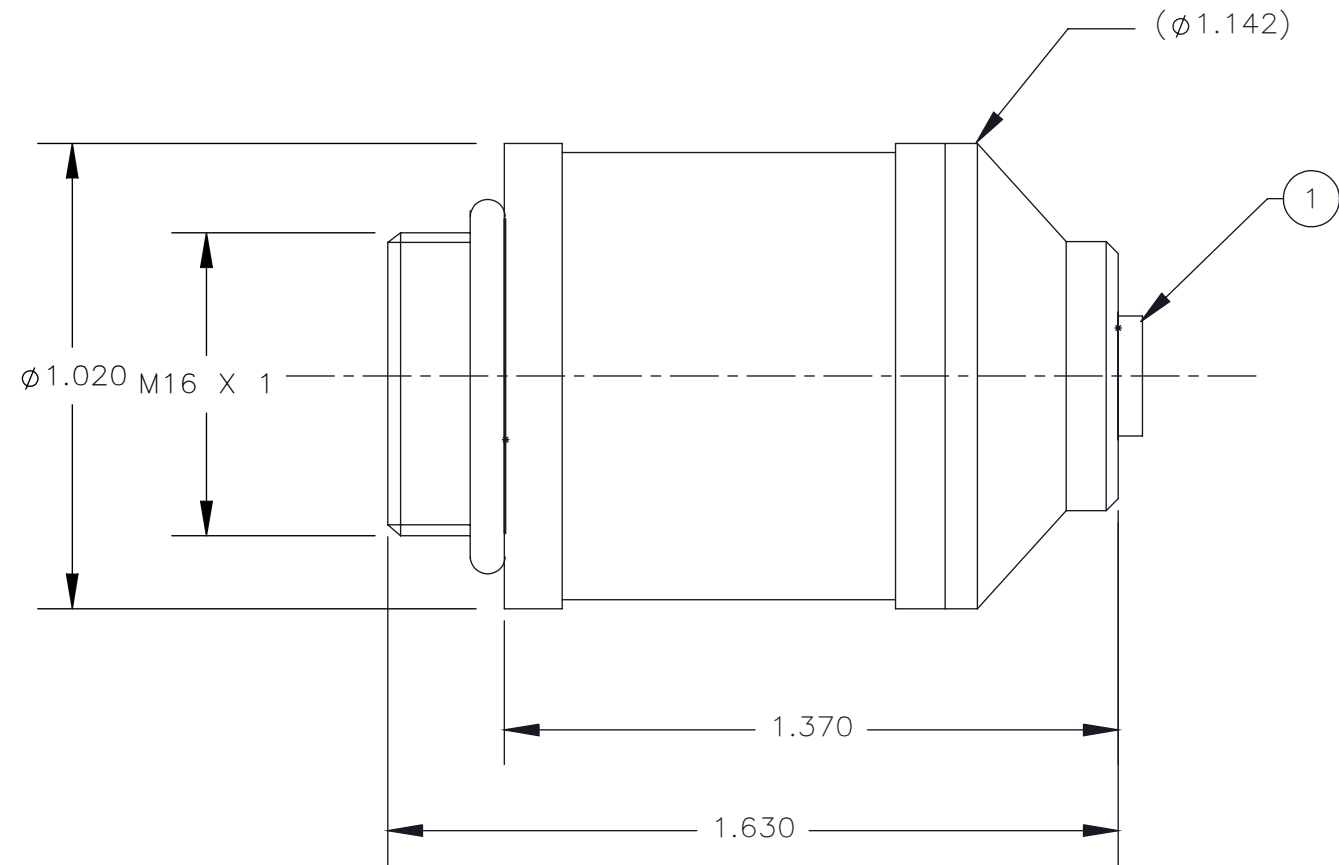
$\phi 1.020$

TP-001 REV 01

SIZE	DWG. NO.	REV
B	R115P02	G
SCALE: 1:1		SHEET 2 OF 3

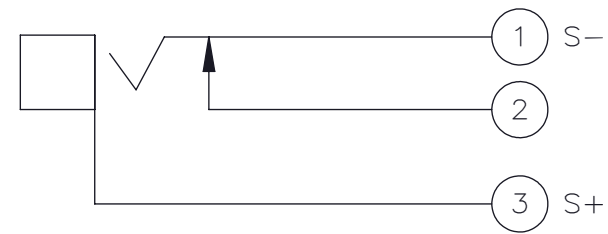
1 PROPRIETARY INFORMATION OF MAXTEC

ITEM	QTY	U/M	DESCRIPTION	APPROVED MFR. #1	DIGIKEY PN
1	1	EA	PHONO JACK .101 SUBMINI 2COND	SWITCHCRAFT INC: TR2A	SC1514-ND

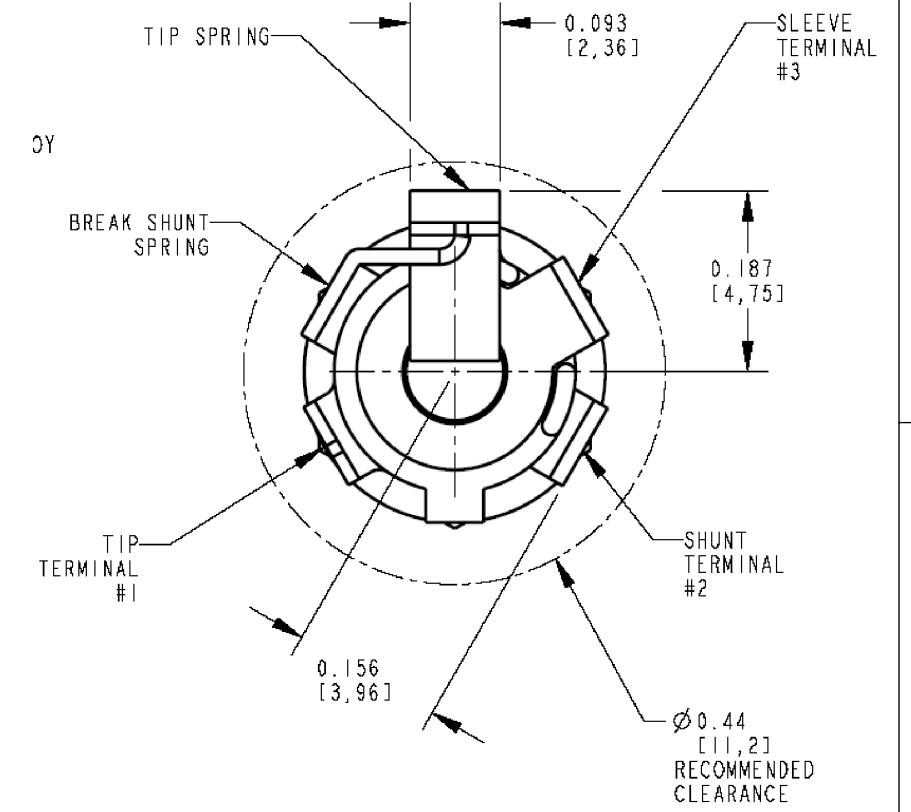


PIN LEGEND.		
PIN	WIRE	FUNCTION
1-TIP	BLACK	S-
2-SHUNT		
3-SLEEVE	WHITE	S+

R115P03-002 USES
SWITCHCRAFT TR2A
OR EQUIVALENT
CONNECTOR



SCHEMATIC



TR2A TERMINATION DETAIL

SIZE B	DWG. NO. R115P02	REV G
SCALE: 1:1		SHEET 3 OF 3