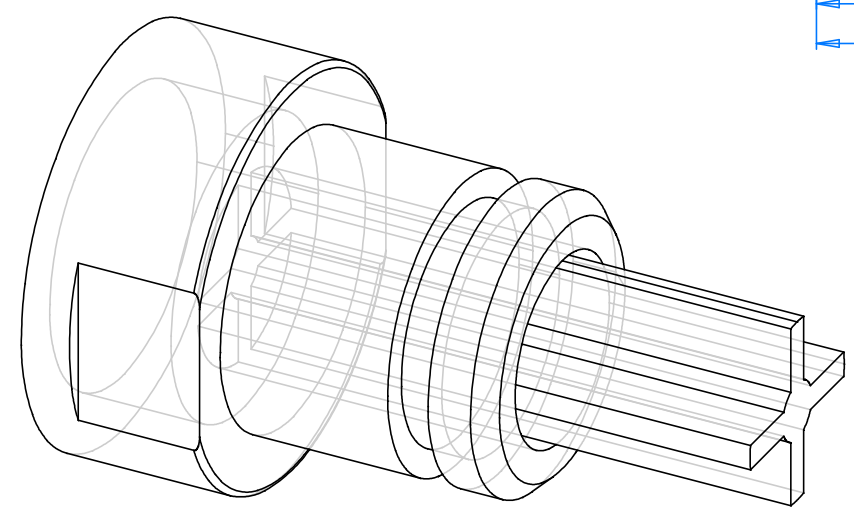
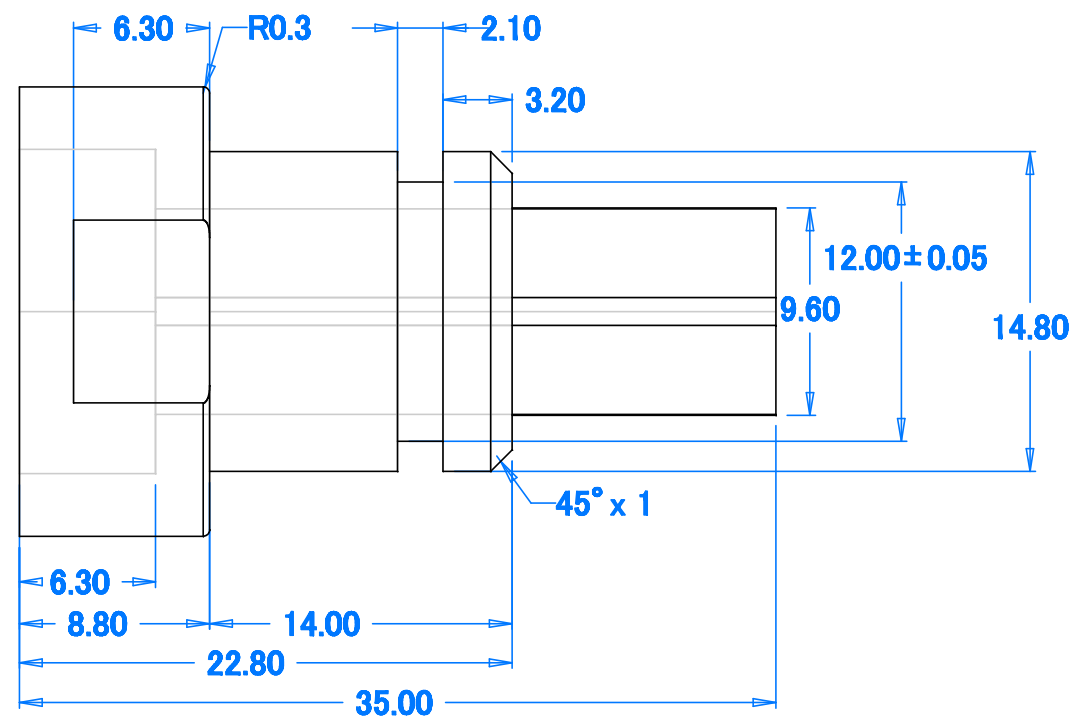


M16 x 1mm pitch (6.30 deep)



TITLE: B47967 Diverter R2		Global Precision	
PROJECT # 11281		SHEET 1 OF 1	A4
CLIENT: -		SCALE 1 : 0.35	
MATERIAL: Delrin		FINISH: Smooth - White	
ACTION	NAME	SIGNATURE	DATE
DRAWN	PM		15/04/24
CHECKED	-		-
APPROVED	-		-
MFG	-		-
QA	-		-
UNLESS OTHERWISE SPECIFIED:			DIMENSIONS ARE IN MILLIMETRES DEBURR AND BREAK SHARP EDGES SURFACE FINISH: LINEAR TOLERANCE: ANGULAR TOLERANCE:

Rev #	Date	Revision Description
-	-	-