



VIAMED



P965E10
Extension Cable
for
Critikon

22 June 1998



Viamed Limited, 15 Station Road, Cross Hills,
Keighley, West Yorkshire BD20 7DT
Tel +44 (0)1535 634542/636757 Fax +44 (0)1535 635582
Email info@viamed.co.uk

SMART-CASE XS

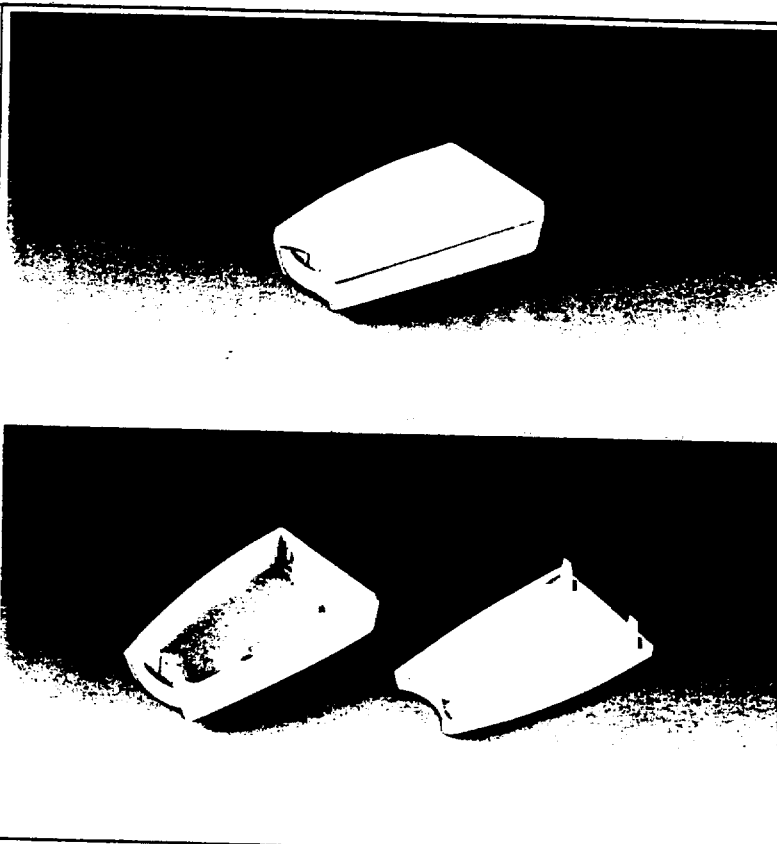
OKW

DESIGN

Miniature case composed of 2 parts. Locking with snap-in mechanism. With eyelet hole for a keyring. Space for a 12 V round cell and small round cells (similar to watch batteries).

SUPPLY

1 bottom and 1 top part.



STANDARD COLOURS

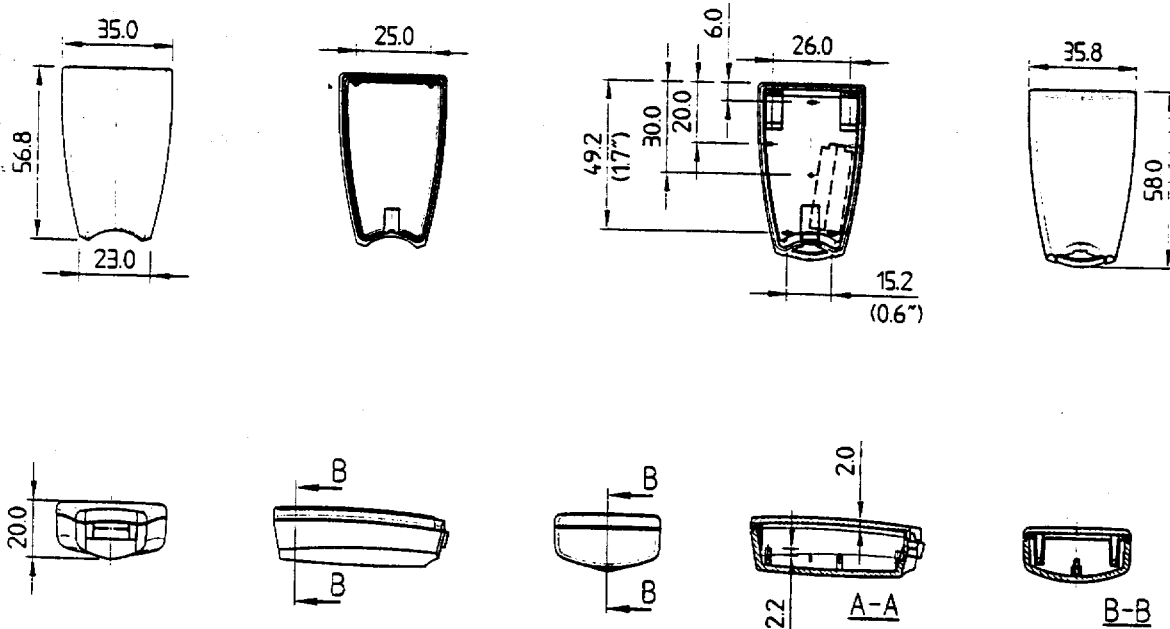
Off-white, RAL 9002.
Black, RAL 9005.
Fine textured surface.
Please refer to colour chart on page 220.

MATERIAL

High-impact polystyrene (UL 94 HB) or PMMA (plexiglas®) permeable to infra-red signals. Please refer to the specifications on pages 221-223.

PROTECTION CLASS IP 40

SMART-CASE



312
MODIFICATIONS AS PER CUSTOMER'S REQUIREMENTS

See pages 216-219.

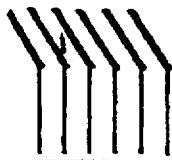
CASE				
Outside dimensions in mm			Colour	Material
L	W	H		
58	35	20	off-white	Polystyrene
58	35	20	black	Polystyrene
58	35	20	black	PMMA (plexiglass®)
ACCESSORIES				
Article		Version		
Keyring		nickel-plated, ø 20,5 mm		

Part-No.

58 35 20
58 35 20
58 35 20
58 35 20

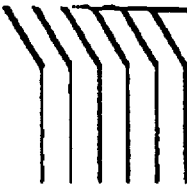
312

0-36



**STEWART
CONNECTOR
SYSTEMS**

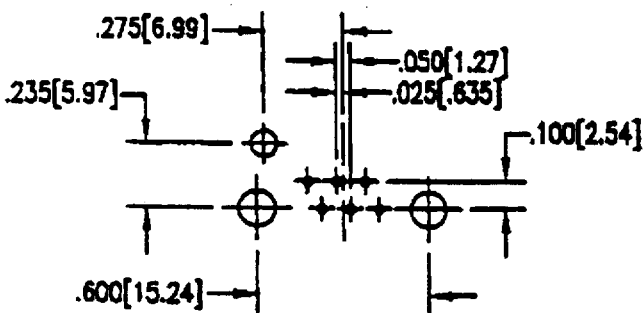
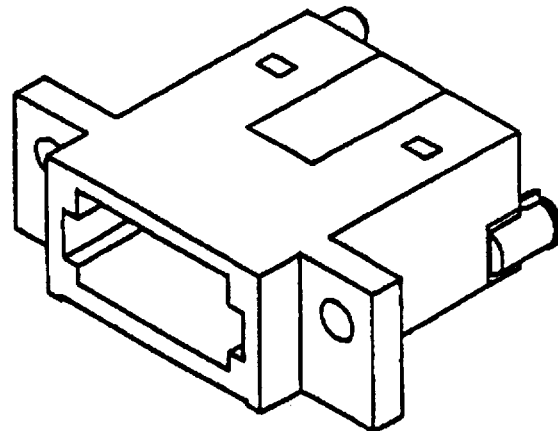
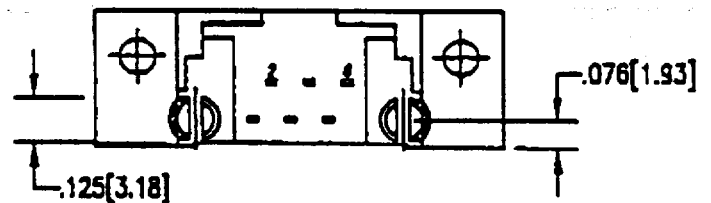
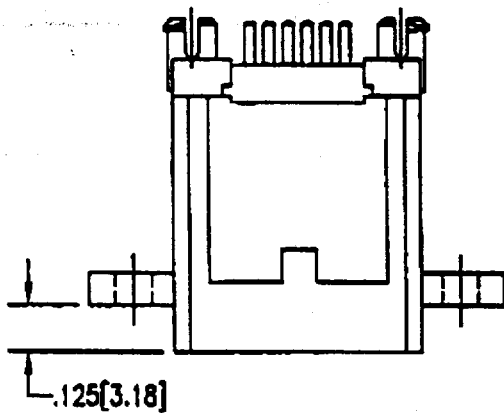
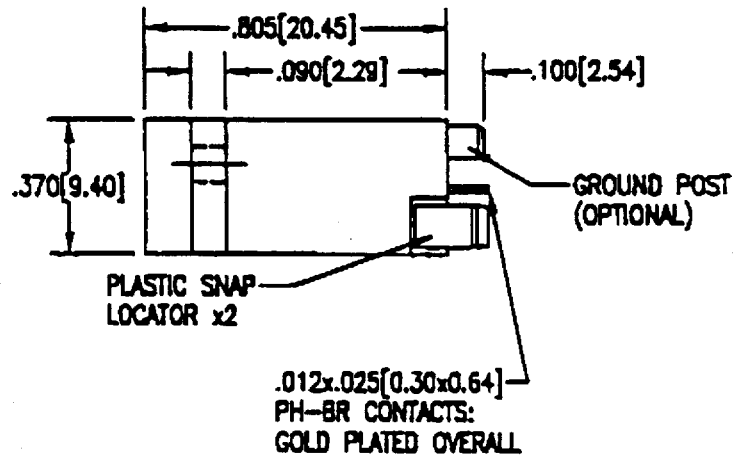
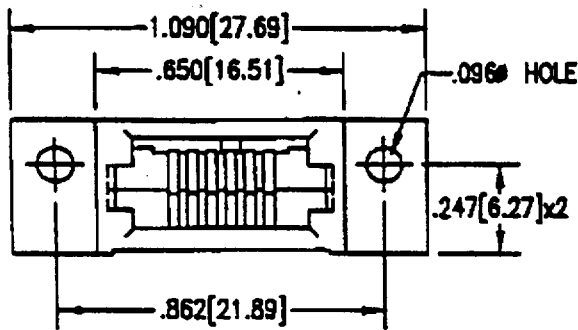
Cumberland House, Baxter Avenue,
Southend-on-Sea, Essex SS2 6HZ
Telephone: 01702 433777
FAX: 01702 431444



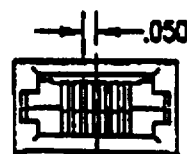
**STEWART
CONNECTOR
SYSTEMS, INC.**

R.D. 2, BOX 2020 GLEN ROCK, PENNSYLVANIA 17327

SS-620606-FF-P1-3-4/



PC BOARD TOP VIEW



DIMENSIONS FOR KEY-3

- NOTES:**
- 1.) DIMENSIONS SHOWN ARE FOR PART ID AND REFERENCE ONLY.
 - 2.) "4/" INCLUDED IN PART NO. INDICATES #4-40 TAP ON .096 HOLES.

P965E10 (provisional part number) costings as of 22 June 1998

Compushield connector - ex works:	£ 1.75
Case - ex works:	£ 2.84
Cable 10 m @ 87p/m - ex works:	£ 8.70
Viking connector - ex works:	£ 8.06
Sub total:	£ 21.35
Freight approximation @ 10%:	£ 2.14
Packing case - ex works:	£ 1.18
Labels, approximation:	£ 0.50
Labour 2 hours @ £10/hr:	£ 20.00
Sub total:	£ 45.17
Cost with profit @ 30%:	£ 58.72
Suggested minimum selling price - U.K.:	£ 80.00
Suggested minimum selling price - international:	\$100.00

Note: Find out selling price of original Critikon cable and price according.

P889RA (provisional part number) costings as of 22 June 1998:

P862RA \$125.50 (\$-£ /1.6) equates to:	£ 78.48
Viking connector with freight as above	£ 8.87
Labour 1/2 hour @ £10/hr:	£ 5.00
Suggested minimum selling price - U.K.:	£110.00
Suggested minimum selling price - international:	\$150.00



P965E10 Extension Cable

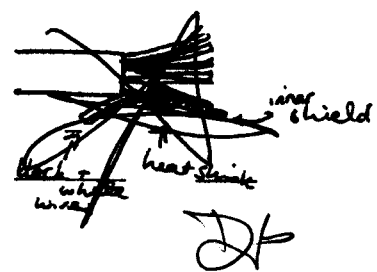
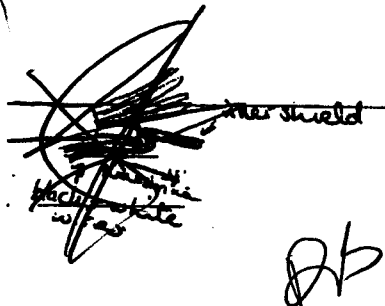
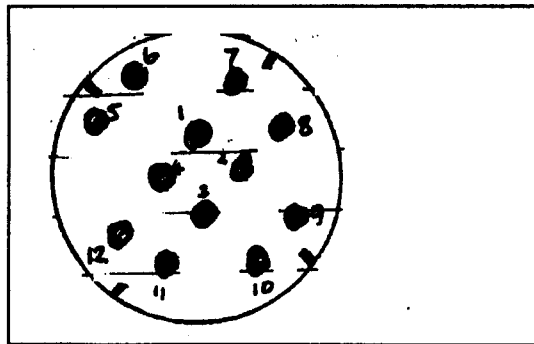
Item	Qty	Description	Part number
1	1	1.6mm heatshrink	
2			
3			
4			

Assembly Connector Monitor end

1. Heatshrink
2. Outer case collet 40016- cable grip
3. Cut off outer cable cover
4. Cut wires to length
5. Strip back inner cable cover to 7mm.
6. Tin inner shield to 11mm
7. Black & White wire 21mm from end of cable
8. Cover inner cable, fold back Black & White and add 11mm of 1.6mm heatshrink
9. Fit pins

Connector wiring Monitor end

- Pin 1 Black
- Pin 2 White
- Pin 3 Red
- Pin 4 Yellow
- Pin 5 N/C
- Pin 6 Blue
- Pin 7 Inner shield
- Pin 8 N/C
- Pin 9 N/C
- Pin 10 N/C
- Pin 11 Orange
- Pin 12 Main shield

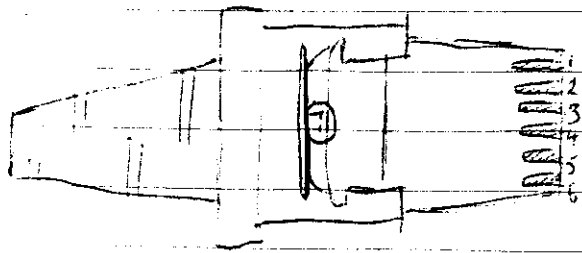


Drawn BY	TW
Date	25/9/00
Checked By	
Date	
Revised By	
Revision Date	
Revision number	

P965 E10 (Gibson + Sensormedics)



- 1/ Black
- 2/ white
- 3/ red
- 4/ yellow
- 5/ N/C
- 6/ Blue
- 7/ inner shield
- 8/ N/C
- 9/ N/C
- 10/ N/C
- 11/ orange
- 12/ outer shield



- 1/ Red
- 2/ yellow
- 3/ orange
- 4/ Blue
- 5/ Black
- 6/ white
- ① Both shields.



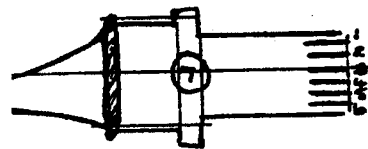
P965E10 Extension Cable

Assembly Connector end

1. Solder back plate on gray connector end to enable shield to be soldered on
2. Put onto cable
3. Add 40016 strain relief cut off top & bottom
4. Add cable grip
5. Strip back outer cable to around 3 cm
6. Tighten cable grip
7. Twist outer shield & cut off at 18mm.
8. Tin the last 8 mm
9. Cut off inner cable cover leaving approx 3mm of cover
10. Remove inner shield
11. Flatten all wires. Push up strain relief & connector en
12. Insert flattened wires into the tray & cut off excess
13. Push clear plastic cover on
14. Make sure wires are still in place
15. Push down contacts with screwdriver Push outer case on

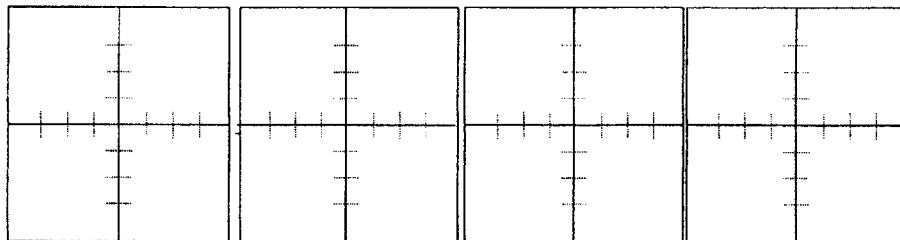
Connector wiring connector end

- Pin 1 Red
- Pin 2 Yellow
- Pin 3 Orange
- Pin 4 Blue
- Pin 5 Black
- Pin 6 White
- Pin 7 main shield



Ensure there is no contact between the two shields.

Insert two pieces of solder into holes 7 * 12 and test for short circuit with multimeter



Drawn BY	TW
Date	25/9/00
Checked By	
Date	
Revised By	
Revision Date	
Revision number	

(PAPERPORT)

Equipment type: Extension cable

Part Number: P965E10

Stock cable

Minimum batch size: 25

Parts list for batch of 25: Patient end: 1 x 0010715

Cable: 25 x 10' cable

Monitor end: 25 x 0010780

P965 E10 EXTENSION

FEMALE CONNECTOR

CUT 10' OF CABLE AND FOLLOW PRECEDURE FOR CRITICOM P890RA 12 PIN CONNECTOR ON P.9.

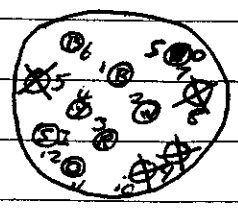
1=BLACK

2=WHITE

3=RED

4=YELLOW

5=N/C



7=SHIELD/OUTER

8=N/C

9=N/C

10=N/C

6=BLUE

11=ORANGE

12=SHIELD/INNER

MALE CONNECTOR

solder GREY Connector for shield & trim 2 slot edges on strips refer then place on cable.

strip & tin in the usual manner then treat as sensor medic P865RA on P.5 and place wires as follows -

1=RED

2=YELLOW

3=ORANGE

4=BLUE



5=BLACK

6=WHITE

7=MAIN SHIELD -

ON BACK OF CONNECTOR

glue 1 + 6 into connector.